



1000 Series Exit Devices

GRADE 1 HEAVY DUTY EXIT DEVICES





The TownSteel Promise

We have built our company around the promise of creating durable hardware solutions for your projects. Our complete product line is the result of decades of determined engineering. This allows TownSteel to provide you with the right product to meet your exacting specifications. With end-to-end customer support, you will find that TownSteel is the ideal company for you to partner with. Check us out at townsteel.com for more information!

The 1000 series exit devices deliver versatile, code-compliant egress solutions engineered for both new construction and retrofit applications. Device function is field-selectable through a full complement of compatible trim options, available in a wide range of architectural finishes to meet virtually any design specification. Built to the industry's most rigorous safety and security standards, the 1000 Series is UL/cUL Listed for Panic and Fire Hardware and certified to ANSI/UL 305 and ANSI/BHMA A156.3 Grade 1, making it the trusted choice for offices, schools, banks, assisted living facilities, and other high-traffic commercial environments.

1000 Series Exit Devices

CONTENTS	PAGE
ED1100/EF1100	4
ED1200/EF1200	15
ED1300/EF1300	29
ED1400/EF1400	41
ED1500/EF1500	52





ED1100/EF1100

GRADE 1 HEAVY DUTY RIM EXIT DEVICE

Features

ED1100/EF1100 Series exit devices are made to comply with the highest safety and security standards in the industry. The ED1100/EF1100 series provides superior durability for heavy use applications such as schools, hospitals, assisted living facilities, banks, offices, hospitality, and other institutions or commercial buildings.

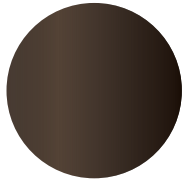


Features	Benefits
ANSI / BHMA A156.3	Grade 1 certified exit device
ANSI / UL 305	ANSI/UL 305 listed
UL10C	UL10(C) 3-hour fire rated (EF1100 only)
ADA compliant	Meets requirements of the Americans with Disabilities Act
BAA compliant	Meets guidelines of Buy American Act
All exit devices are non-handed or field reversible design	Allows for changing the handing without requiring new hardware
Shock-resistant latching design	Provides superior vandalism protection
All internal components made of corrosion-resistant alloy	Provides superior weather-resistance and durability

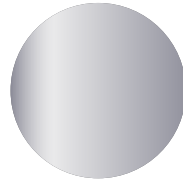
Specifications

Door Size	36", standard 48", optional
Door Thickness	1-3/4" - 2-1/4" *Others available upon request
Mounting Height	39-5/8" from device center line to finished floor
Handing	Non-handed
Push Bar Projection	Neutral: 3-13/16" Depressed: 3-1/16"
Latch Bolt	3/4" throw, stainless steel, deadlocking
Dogging	Flat/Hex key dogging, standard (ED1100 only) Cylinder dogging, optional (ED1100 only) Electrical dogging (ELR), optional Less dogging, optional

Finishes



Dark Oxidized Bronze
(613)

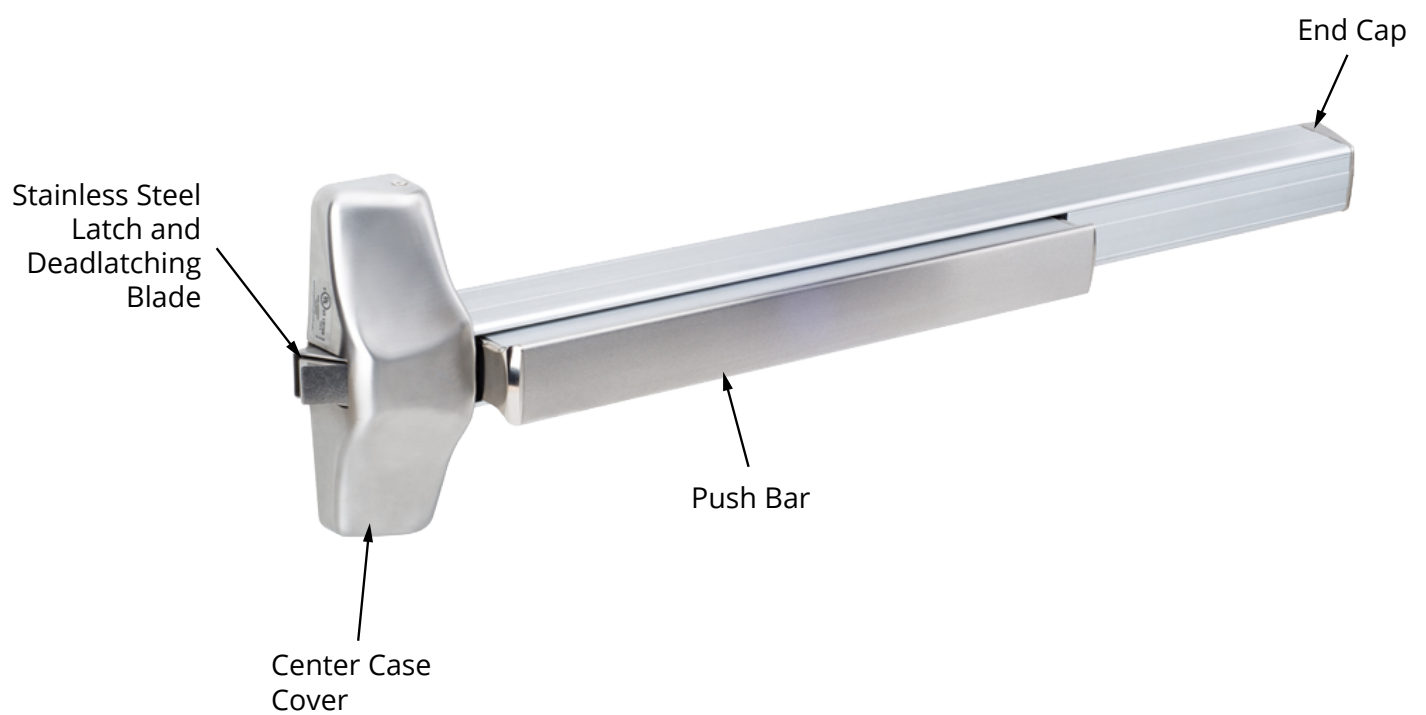


Satin Stainless Steel
(630)

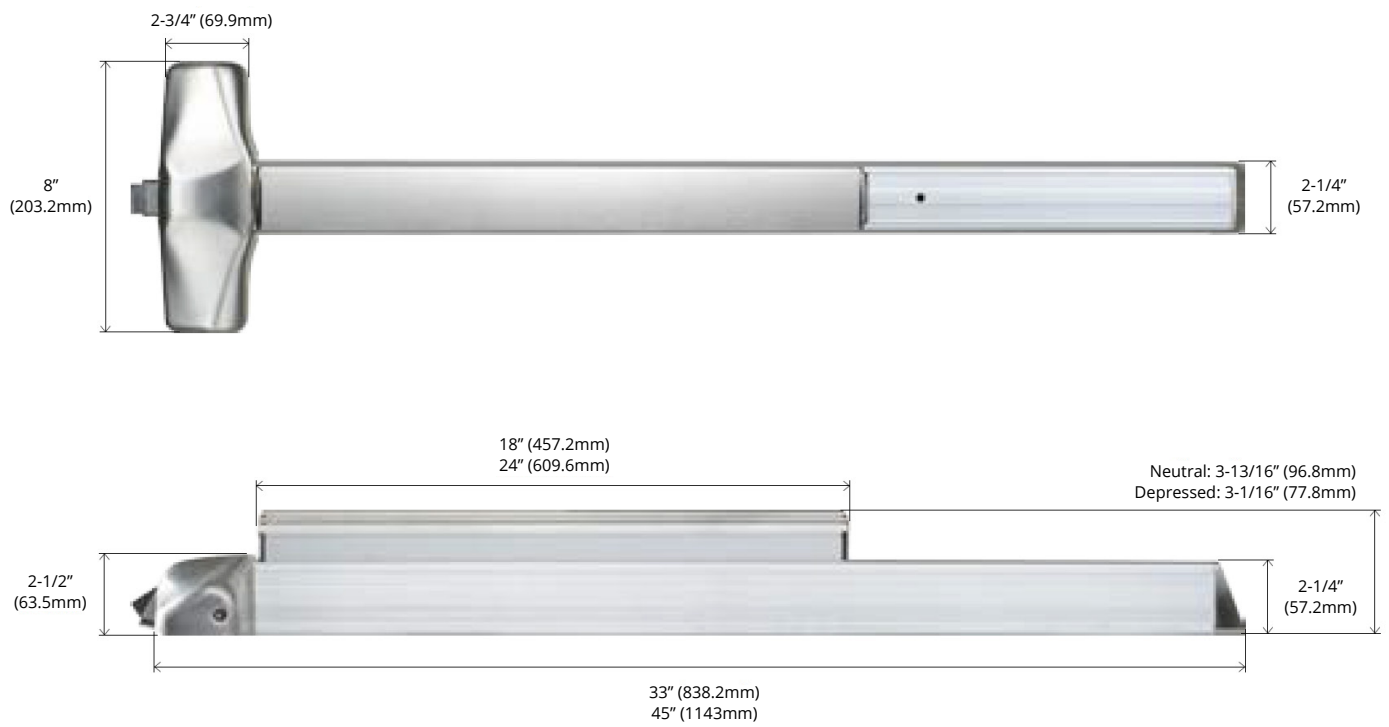
Other finishes available upon request

Finishes are for illustration only and may vary
from actual product provided

Exit Device Profile



Dimensions



Strikes

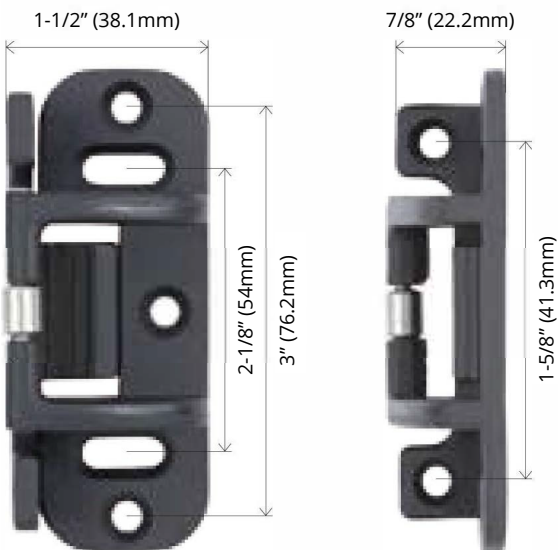
106 Rim Strike

Rim strike for Rim exit device.
For panic applications.



108 Rim Strike

Rim strike for fire or double door Rim exit device use with mullion.
For panic and fire applications.



Strikes

136 Rim Strike

Rim strike for double door Rim exit device in combination with a coordinator.
For panic and fire applications.



How to Order

ED1100/EF1100 Heavy Duty Rim Exit Device

Fire Rating

ED1100	Rim panic exit hardware
EF1100	Rim fire exit hardware

Device Size

36	36" (For doors 2'4"-3')
48	48" (For doors 2'10"-4')

Finish

613	Dark Oxidized Bronze
630	Satin Stainless Steel

Dogging

Blank	Flat/Hex key dogging (ED1100 only)
CD	Cylinder dogging (ED1100 only)
ED	Electric dogging (ELR)
LD	Less dogging

Options

Blank	Standard
AL	Alarm exit
DE	Delayed egress
ELR	Electric latch retraction

How to Order

ED1100/EF1100 Heavy Duty Rim Exit Device

Options (cont.)

LM	Latch bolt monitoring
RX	Request to exit
SS	Signal switch

Pick one item from each category when ordering.

Example order: ED1100-36-630-DE

How to Order

Strikes and Shim Kits

Strikes

ED 106 Rim Strike	Rim strike for Rim exit device. For panic applications.
ED 108 Rim Strike	Rim strike for fire or double door Rim exit device use with mullion. For panic and fire applications.
ED 136 Rim Strike	Rim strike for double door Rim exit device in combination with a coordinator. For panic and fire applications.

Shim Kits

616819-010	Standard shim kit for 106 Rim strike, 2 pieces furnished
616819-030	Standard shim kit for 108 Rim strike, 2 pieces furnished

Accessories

Accessories

8-1024 SNB	Sex bolts for Exit Only device (10-24 thread)
2-1024 SNB	Sex bolts for device with trim (10-24 thread)



ED1200/EF1200

GRADE 1 HEAVY DUTY SURFACE VERTICAL ROD EXIT DEVICE

Features

ED1200/EF1200 Series exit devices are made to comply with the highest safety and security standards in the industry. The ED1200/EF1200 series provides superior durability for heavy use applications such as schools, hospitals, assisted living facilities, banks, offices, hospitality, and other institutions or commercial buildings.

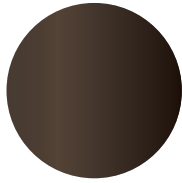


Features	Benefits
ANSI / BHMA A156.3	Grade 1 certified exit device
ANSI / UL 305	ANSI/UL 305 listed
UL10C	UL10(C) 3-hour fire rated (EF1200 only)
ADA compliant	Meets requirements of the Americans with Disabilities Act
BAA compliant	Meets guidelines of Buy American Act
All exit devices are non-handed or field reversible design	Allows for changing the handing without requiring new hardware
Shock-resistant latching design	Provides superior vandalism protection
All internal components made of corrosion-resistant alloy	Provides superior weather-resistance and durability

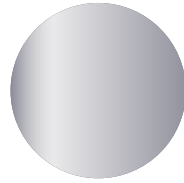
Specifications

Door Size	36", standard 48", optional
Door Thickness	1-3/4" - 2-1/4" *Others available upon request
Door Undercut	1/4"
Mounting Height	39-5/8" from device center line to finished floor
Handing	Non-handed
Push Bar Projection	Neutral: 3-13/16" Depressed: 3-1/16"
Top Latch Bolt	5/8" throw, stainless steel, pullman type, deadlocking
Bottom Bolt	5/8" throw, stainless steel, pullman type, deadlocking, independent action Round slide bolt, optional
Top and Bottom Latch Case	4-1/2" x 2-1/8" x 1-1/2"
Top Rod	1/2" square tube, 36-1/8" for 7' door 1/2" square tube, 48-1/8" for 8' door
Bottom Rod	1/2" square tube, 31-7/8"
Rod Extension	Available 24" for doors ranging between 8' and 10' high
Dogging	Flat/Hex key dogging, standard (ED1200 only) Cylinder dogging, optional (ED1200 only) Electrical dogging (ELR), optional Less dogging, optional

Finishes



Dark Oxidized Bronze
(613)

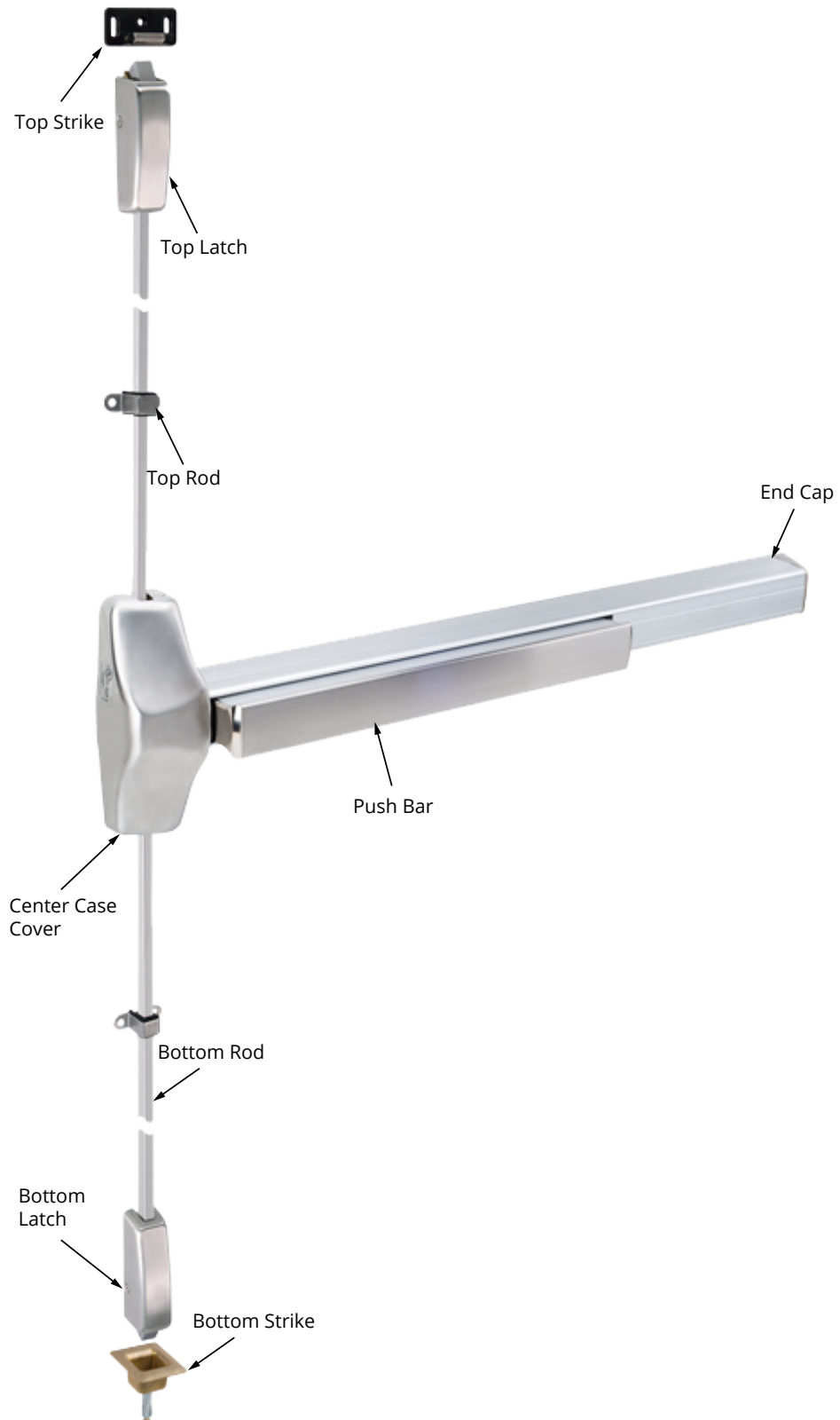


Satin Stainless Steel
(630)

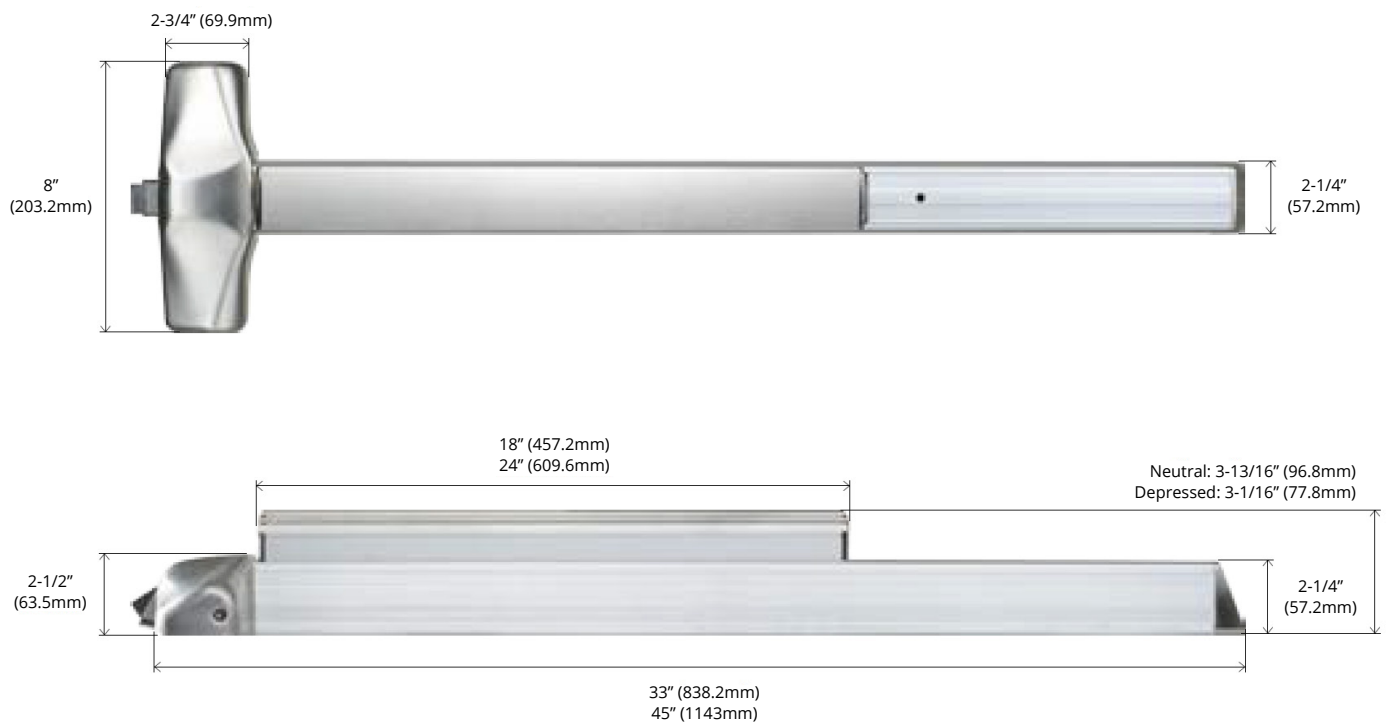
Other finishes available upon request

Finishes are for illustration only and may vary
from actual product provided

Exit Device Profile



Dimensions



Strikes

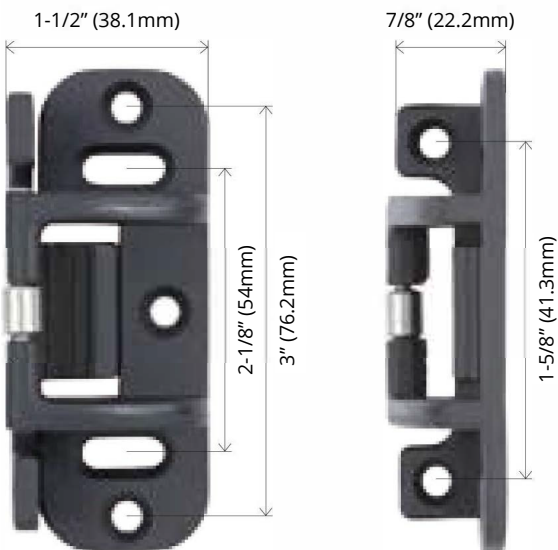
106 Rim Strike

Top strike for surface vertical rod exit device.
For panic applications.



108 Rim Strike

Top strike for surface vertical rod exit device.
For fire applications.



Strikes

136 Rim Strike

Rim strike for double door surface vertical rod exit device in combination with a coordinator.
For panic and fire applications.



215 Top Strike

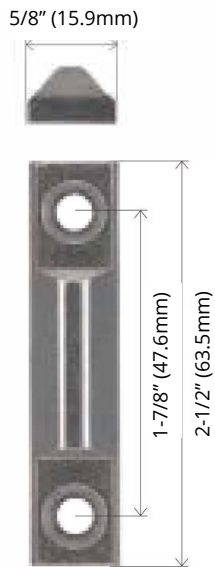
Top strike for flush transom for surface vertical rod exit devices.
For panic and fire applications.



Strikes

224 Bottom Strike

Optional bottom strike for surface vertical rod exit devices.
For panic and fire applications.



225 Bottom Strike (Flat)

Optional bottom strike for surface vertical rod exit device round slide bolt.
For panic and fire applications.



Strikes

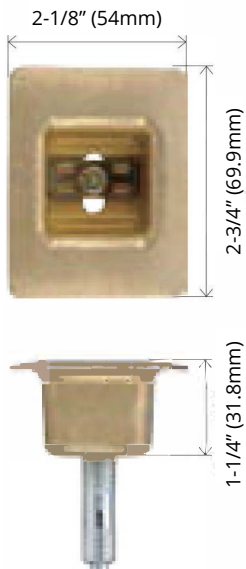
226 Bottom Strike (Flat)

Optional bottom strike for surface vertical rod exit device round slide bolt.
For panic and fire applications.



227/227F Bottom Strike

Standard bottom strike for surface vertical rod exit devices.
For panic and fire applications.



How to Order

ED1200/EF1200 Heavy Duty Surface Vertical Rod Exit Device

Fire Rating

ED1200	Surface vertical rod panic exit hardware
EF1200	Surface vertical rod fire exit hardware

Bottom Rod and Latch Options

Blank	Standard
LBR	Less bottom rod
RBL	Round bottom latch
PL	Pullman latch

Device Size

36	36" (For doors 2'4"-3')
48	48" (For doors 2'10"-4')

Door Height

84	84" (For doors up to 84" high)
96	96" (For doors over 84" and up to 96" high)
120	120" (For doors over 96" and up to 120" high)

Finish

613	Dark Oxidized Bronze
630	Satin Stainless Steel

Dogging

Blank	Flat/Hex key dogging (ED1200 only)
-------	------------------------------------

How to Order

ED1200/EF1200 Heavy Duty Surface Vertical Rod Exit Device

CD	Cylinder dogging (ED1200 only)
ED	Electric dogging (ELR)
LD	Less dogging

Options

Blank	Standard
AL	Alarm exit
DE	Delayed egress
ELR	Electric latch retraction
LM	Latch bolt monitoring
RX	Request to exit
SS	Signal switch

Pick one item from each category when ordering.

Example order: ED1200-3684-630-DE

How to Order

Strikes and Shim Kits

Strikes

ED 106 Rim Strike	Top strike for SVR exit device. For panic applications.
ED 108 Rim Strike	Top strike for SVR exit device. For fire applications.
ED 136 Rim Strike	Rim strike for double door SVR in combination with a coordinator. For panic and fire applications.
ED 215 Top Strike	Top strike for flush transom for SVR. For panic and fire applications.
ED 224 Bottom Strike	Optional bottom strike for SVR. For panic and fire applications.
ED 225 Bottom Strike (Flat)	Optional bottom strike for SVR round slide bolt. For panic and fire applications.
ED 226 Bottom Strike (Flat)	Optional bottom strike for SVR round slide bolt. For panic and fire applications.
ED 227 Bottom Strike	Standard bottom strike for SVR. For panic applications.
ED 227F Bottom Strike	Standard bottom strike for SVR. For fire applications.

Shim Kits

616819-010	Standard shim kit for 106 Rim strike, 2 pieces furnished
------------	--

How to Order

Accessories

Accessories

ED 616823-010	31-7/8" bottom rod
ED 616823-020	For 7' Door Height, 36-1/8" top rod
ED 616823-030	For 8' Door Height, 48-1/8" top rod
ED 616823-040	For 10' Door Height, 24" top extension rod for ED 616823-030
TFL001-630	Fire latch for LBR exit device
6-1024 SNB	Sex bolts for Exit Only device (10-24 thread)
4-4120 SNB	Sex bolts for Exit Only device or device with trim (1/4-20 thread)
2-1024 SNB	Sex bolts for device with trim (10-24 thread)



ED1300/EF1300

GRADE 1 HEAVY DUTY CONCEALED VERTICAL ROD EXIT DEVICE

Features

ED1300/EF1300 Series exit devices are made to comply with the highest safety and security standards in the industry. The ED1300/EF1300 series provides superior durability for heavy use applications such as schools, hospitals, assisted living facilities, banks, offices, hospitality, and other institutions or commercial buildings.

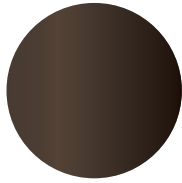


Features	Benefits
ANSI / BHMA A156.3	Grade 1 certified exit device
ANSI / UL 305	ANSI/UL 305 listed
UL10C	UL10(C) 3-hour fire rated (EF1300 only)
ADA compliant	Meets requirements of the Americans with Disabilities Act
BAA compliant	Meets guidelines of Buy American Act
All exit devices are non-handed or field reversible design	Allows for changing the handing without requiring new hardware
Shock-resistant latching design	Provides superior vandalism protection
All internal components made of corrosion-resistant alloy	Provides superior weather-resistance and durability

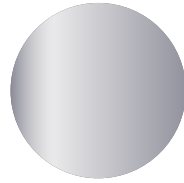
Specifications

Door Size	36", standard 48", optional
Door Thickness	1-3/4" - 2-1/4" *Others available upon request
Door Undercut	1/4"
Mounting Height	39-5/8" from device center line to finished floor
Handing	Non-handed
Push Bar Projection	Neutral: 3-13/16" Depressed: 3-1/16"
Top Latch Bolt	5/8" throw, stainless steel, pullman type, deadlocking
Bottom Bolt	5/8" throw, stainless steel, pullman type, deadlocking, independent action Round slide bolt, optional
Top and Bottom Latch Case	4-1/2" x 2-1/8" x 1-1/2"
Top Rod	1/2" round tube, 37" for 7' door 1/2" round tube, 49" for 8' door
Bottom Rod	1/2" round tube, 31-3/4"
Rod Extension	Available 24" for doors ranging between 8' and 10' high
Dogging	Flat/Hex key dogging, standard (ED1300 only) Cylinder dogging, optional (ED1300 only) Electrical dogging (ELR), optional Less dogging, optional

Finishes



Dark Oxidized Bronze
(613)

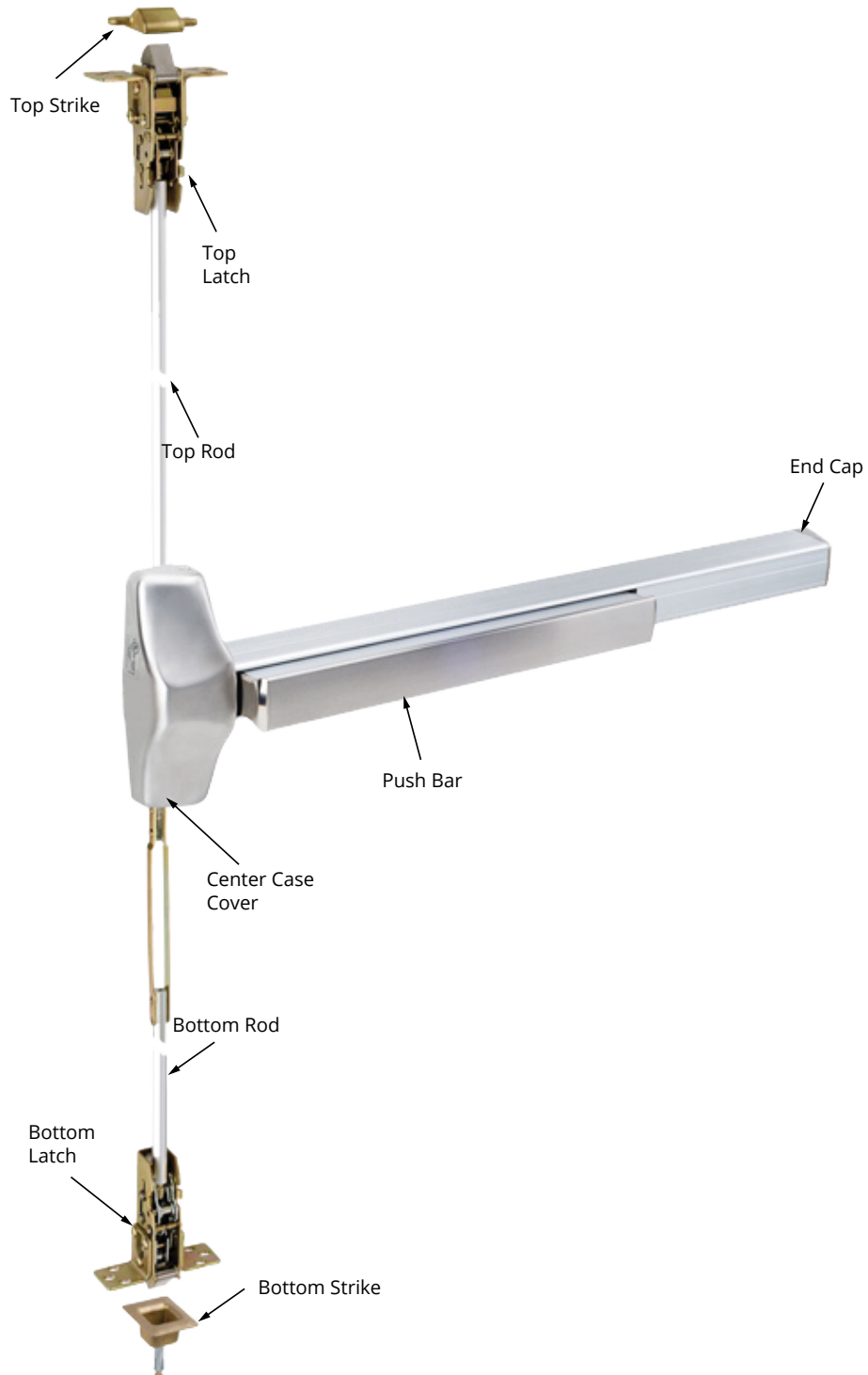


Satin Stainless Steel
(630)

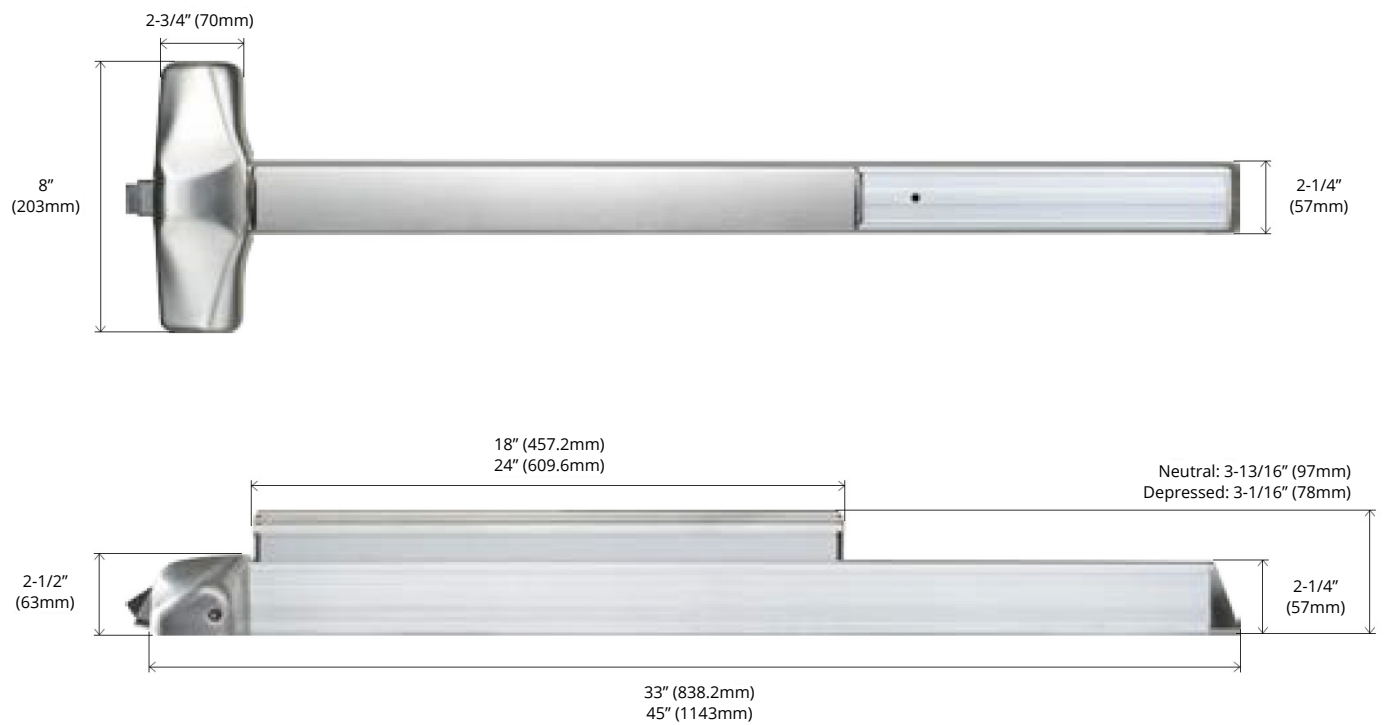
Other finishes available upon request

Finishes are for illustration only and may vary
from actual product provided

Exit Device Profile



Dimensions



Strikes

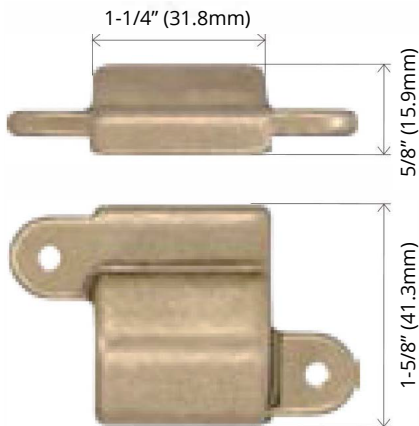
136 Rim Strike

Rim strike for double door concealed vertical rod exit device in combination with a coordinator.
For panic and fire applications.



216 Top Strike

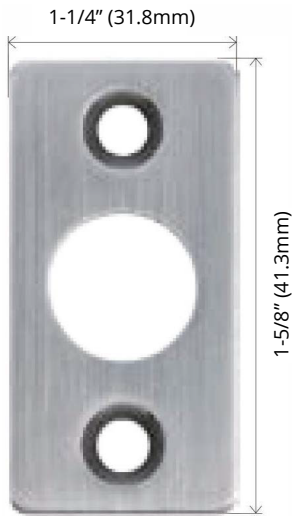
Top strike for concealed vertical rod exit devices.
For panic and fire applications.



Strikes

225 Bottom Strike (Flat)

Optional bottom strike for concealed vertical rod exit device round slide bolt.
For panic and fire applications.



226 Bottom Strike (Flat)

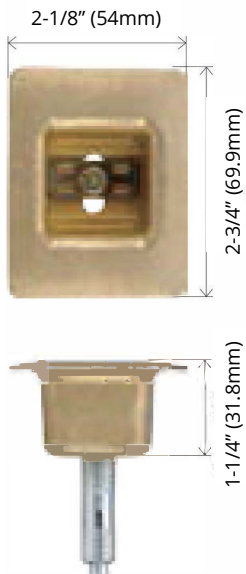
Optional bottom strike for concealed vertical rod exit device round slide bolt.
For panic and fire applications.



Strikes

227/227F Bottom Strike

Standard bottom strike for concealed vertical rod exit devices.
For panic and fire applications.



How to Order

ED1300/EF1300 Heavy Duty Concealed Vertical Rod Exit Device

Fire Rating

ED1300	Concealed vertical rod panic exit hardware
EF1300	Concealed vertical rod fire exit hardware

Bottom Rod and Latch Options

Blank	Standard
LBR	Less bottom rod
RBL	Round bottom latch
PL	Pullman latch

Device Size

36	36" (For doors 2'4"-3')
48	48" (For doors 2'10"-4')

Door Height

84	84" (For doors up to 84" high)
96	96" (For doors over 84" and up to 96" high)
120	120" (For doors over 96" and up to 120" high)

Finish

613	Dark Oxidized Bronze
630	Satin Stainless Steel

How to Order

ED1300/EF1300 Heavy Duty Concealed Vertical Rod Exit Device

Dogging

Blank	Flat/Hex key dogging (ED1300 only)
CD	Cylinder dogging (ED1300 only)
ED	Electric dogging (ELR)
LD	Less dogging

Options

Blank	Standard
AL	Alarm exit
DE	Delayed egress
ELR	Electric latch retraction
LM	Latch bolt monitoring
RX	Request to exit
SS	Signal switch

Pick one item from each category when ordering.

Example order: ED1300-3684-630-DE

How to Order

Strikes

Strikes

ED 136 Rim Strike	Rim strike for double door CVR in combination with a coordinator. For panic and fire applications.
ED 216 Top Strike	Top strike for CVR. For panic and fire applications.
ED 225 Bottom Strike (Flat)	Optional bottom strike for CVR round slide bolt. For panic and fire applications.
ED 226 Bottom Strike (Flat)	Optional bottom strike for CVR round slide bolt. For panic and fire applications.
ED 227 Bottom Strike	Standard bottom strike for CVR. For panic applications.
ED 227F Bottom Strike	Standard bottom strike for CVR. For fire applications.

Accessories

Accessories

ED 616823-070	For 7' Door Height, 37" top rod
ED 616823-080	For 8' Door Height, 49" top rod
ED 616823-050	For 10' Door Height, 23-7/8" top extension rod for ED 616823-080
24682300910	34-9/32" bottom rod
TFL001-630	Fire latch for LBR exit device
6-1024 SNB	Sex bolts for Exit Only device (10-24 thread)
2-1024 SNB	Sex bolts for device with trim (10-24 thread)



ED1400/EF1400

GRADE 1 HEAVY DUTY MORTISE LOCK EXIT DEVICE

Features

ED1400/EF1400 Series exit devices are made to comply with the highest safety and security standards in the industry. The ED1400/EF1400 series provides superior durability for heavy use applications such as schools, hospitals, assisted living facilities, banks, offices, hospitality, and other institutions or commercial buildings.

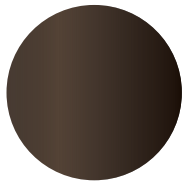


Features	Benefits
ANSI / BHMA A156.3	Grade 1 certified exit device
ANSI / UL 305	ANSI/UL 305 listed
UL10C	UL10(C) 3-hour fire rated (EF1400 only)
ADA compliant	Meets requirements of the Americans with Disabilities Act
BAA compliant	Meets guidelines of Buy American Act
All exit devices are non-handed or field reversible design	Allows for changing the handing without requiring new hardware
Shock-resistant latching design	Provides superior vandalism protection
All internal components made of corrosion-resistant alloy	Provides superior weather-resistance and durability

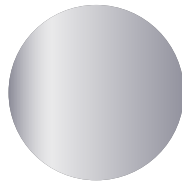
Specifications

Door Size	36", standard 48", optional
Door Thickness	1-3/4" - 2-1/4" *Others available upon request
Mounting Height	39-5/8" from device center line to finished floor
Handing	Non-handed
Push Bar Projection	Neutral: 3-13/16" Depressed: 3-1/16"
Latch Bolt	3/4" throw, stainless steel, deadlocking
Dogging	Flat/Hex key dogging, standard (ED1400 only) Cylinder dogging, optional (ED1400 only) Electrical dogging (ELR), optional Less dogging, optional

Finishes



Dark Oxidized Bronze
(613)

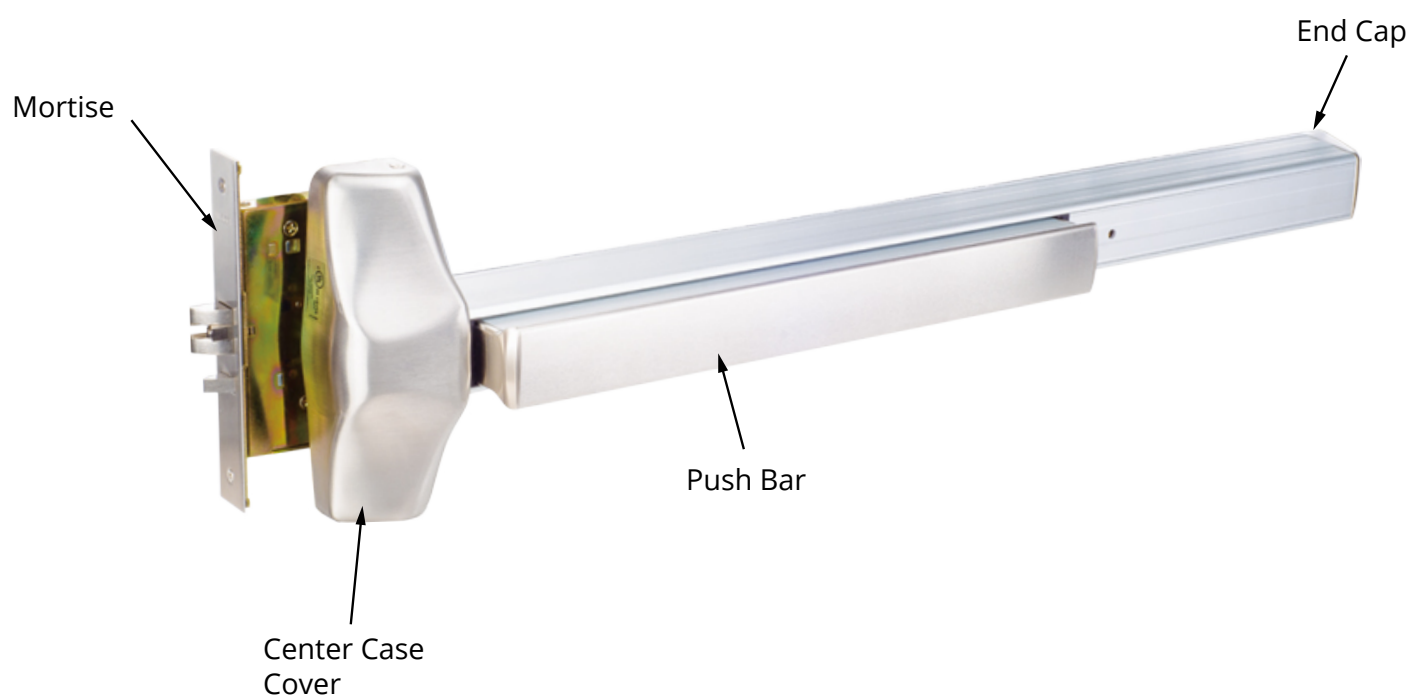


Satin Stainless Steel
(630)

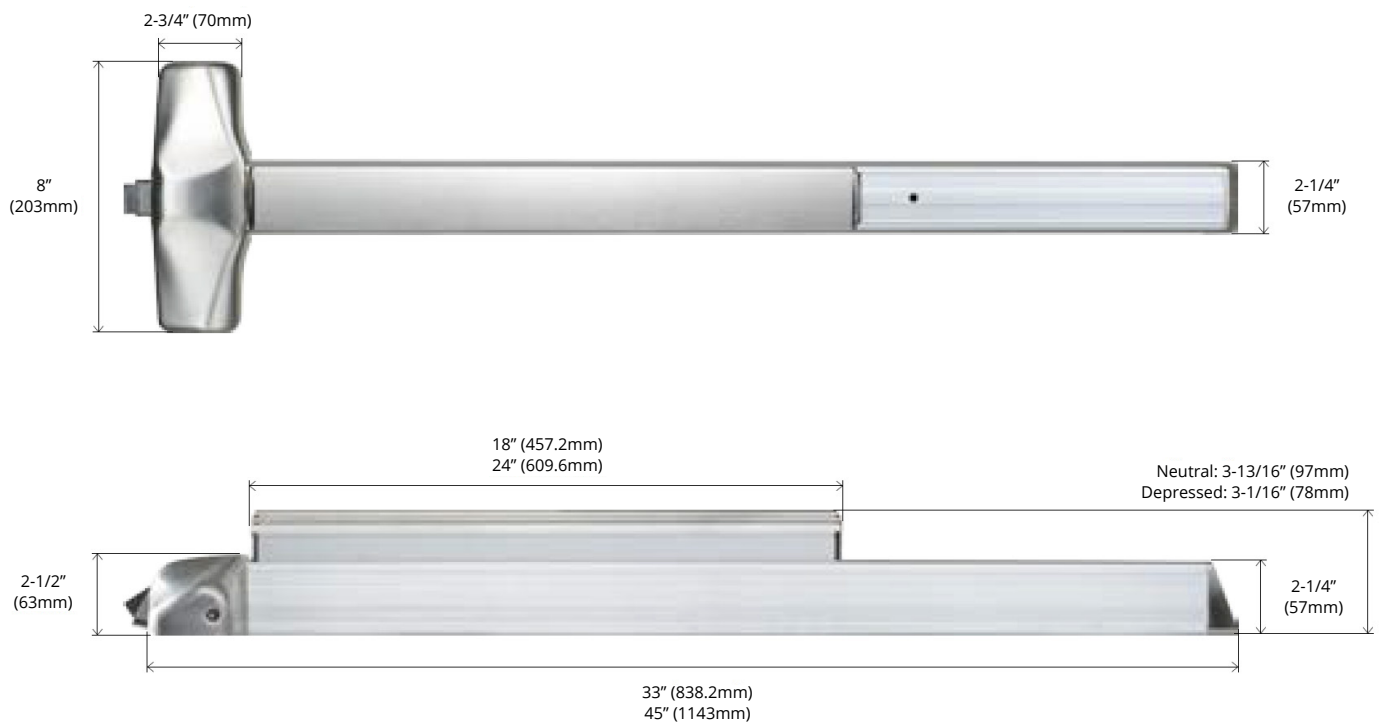
Other finishes available upon request

Finishes are for illustration only and may vary
from actual product provided

Exit Device Profile



Dimensions



Strikes

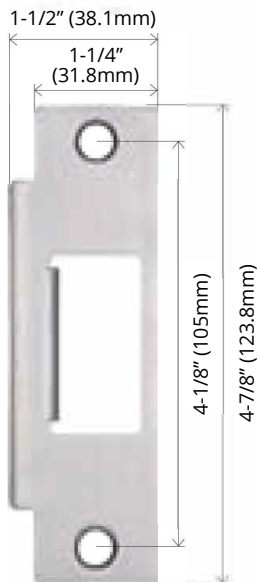
306 Strikes

Standard mortise strike for use on 1-3/4" or 2-1/4" single door and 2-1/4" double door with coordinator. For panic and fire applications.



336 Strikes

Mortise strike for use on 1-3/4" thick double door with coordinator and astragal. For panic and fire applications.



Strikes

337 Open Back Strike

Open back mortise strike for 2-1/4" thick double doors without coordinator.
For panic applications.



338 Open Back Strike

Open back mortise strike for 1-3/4" thick double doors without coordinator.
For panic applications.



How to Order

ED1400/EF1400 Heavy Duty Mortise Lock Exit Device

Fire Rating

ED1400	Mortise panic exit hardware
EF1400	Mortise fire exit hardware

Device Size

36	36" (For doors 2'4"-3')
48	48" (For doors 2'10"-4')

Finish

613	Dark Oxidized Bronze
630	Satin Stainless Steel

Dogging

Blank	Flat/Hex key dogging (ED1400 only)
CD	Cylinder dogging (ED1400 only)
ED	Electric dogging (ELR)
LD	Less dogging

Options

Blank	Standard
AL	Alarm exit
DE	Delayed egress

How to Order

ED1400/EF1400 Heavy Duty Mortise Lock Exit Device

E	Electric mortise lock
---	-----------------------

Options (cont.)

ELR	Electric latch retraction
-----	---------------------------

RX	Request to exit
----	-----------------

SS	Signal switch
----	---------------

Pick one item from each category when ordering.

Example order: ED1400-36-630-DE

How to Order

Strikes

Strikes

306	Standard mortise strike for use on 1-3/4" or 2-1 /4" single door and 2-1/4" double door with coordinator. For panic and fire applications.
336	Mortise strike for use on 1-3/4" thick double door with coordinator and astragal. For panic and fire applications.
337	Open back mortise strike for 2-1 /4" thick double doors without coordinator. For panic applications.
338	Open back mortise strike for 1-3/4" thick double doors without coordinator. For panic applications.

Accessories

Accessories

6-1024 SNB	Sex bolts for Exit Only device (10-24 thread)
2-1024 SNB	Sex bolts for device with trim (10-24 thread)



ED1500/EF1500

GRADE 1 HEAVY DUTY THREE-POINT LATCHING EXIT DEVICE

Features

ED1500/EF1500 Series exit devices are made to comply with the highest safety and security standards in the industry. The ED1500/EF1500 series provides superior durability for heavy use applications such as schools, hospitals, assisted living facilities, banks, offices, hospitality, and other institutions or commercial buildings.

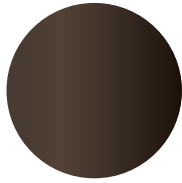


Features	Benefits
ANSI / BHMA A156.3	Grade 1 certified exit device
ANSI / UL 305	ANSI/UL 305 listed
UL10C	UL10(C) 3-hour fire rated (EF1500 only)
ADA compliant	Meets requirements of the Americans with Disabilities Act
BAA compliant	Meets guidelines of Buy American Act
All exit devices are non-handed or field reversible design	Allows for changing the handing without requiring new hardware
Shock-resistant latching design	Provides superior vandalism protection
All internal components made of corrosion-resistant alloy	Provides superior weather-resistance and durability

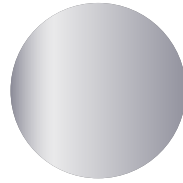
Specifications

Door Size	36", standard 48", optional
Door Thickness	1-3/4" - 2-1/4" *Others available upon request
Door Undercut	1/4"
Mounting Height	39-5/8" from device center line to finished floor
Handing	Non-handed
Push Bar Projection	Neutral: 3-13/16" Depressed: 3-1/16"
Top Latch Bolt	5/8" throw, stainless steel, pullman type, deadlocking
Bottom Bolt	5/8" throw, stainless steel, pullman type, deadlocking, independent action Round slide bolt, optional
Top and Bottom Latch Case	4-1/2" x 2-1/8" x 1-1/2"
Top Rod	1/2" square tube, 36-1/8" for 7' door 1/2" square tube, 48-1/8" for 8' door
Bottom Rod	1/2" square tube, 31-7/8"
Rod Extension	Available 24" for doors ranging between 8' and 10' high
Dogging	Flat/Hex key dogging, standard (ED1500 only) Cylinder dogging, optional (ED1500 only) Electrical dogging (ELR), optional Less dogging, optional

Finishes



Dark Oxidized Bronze
(613)

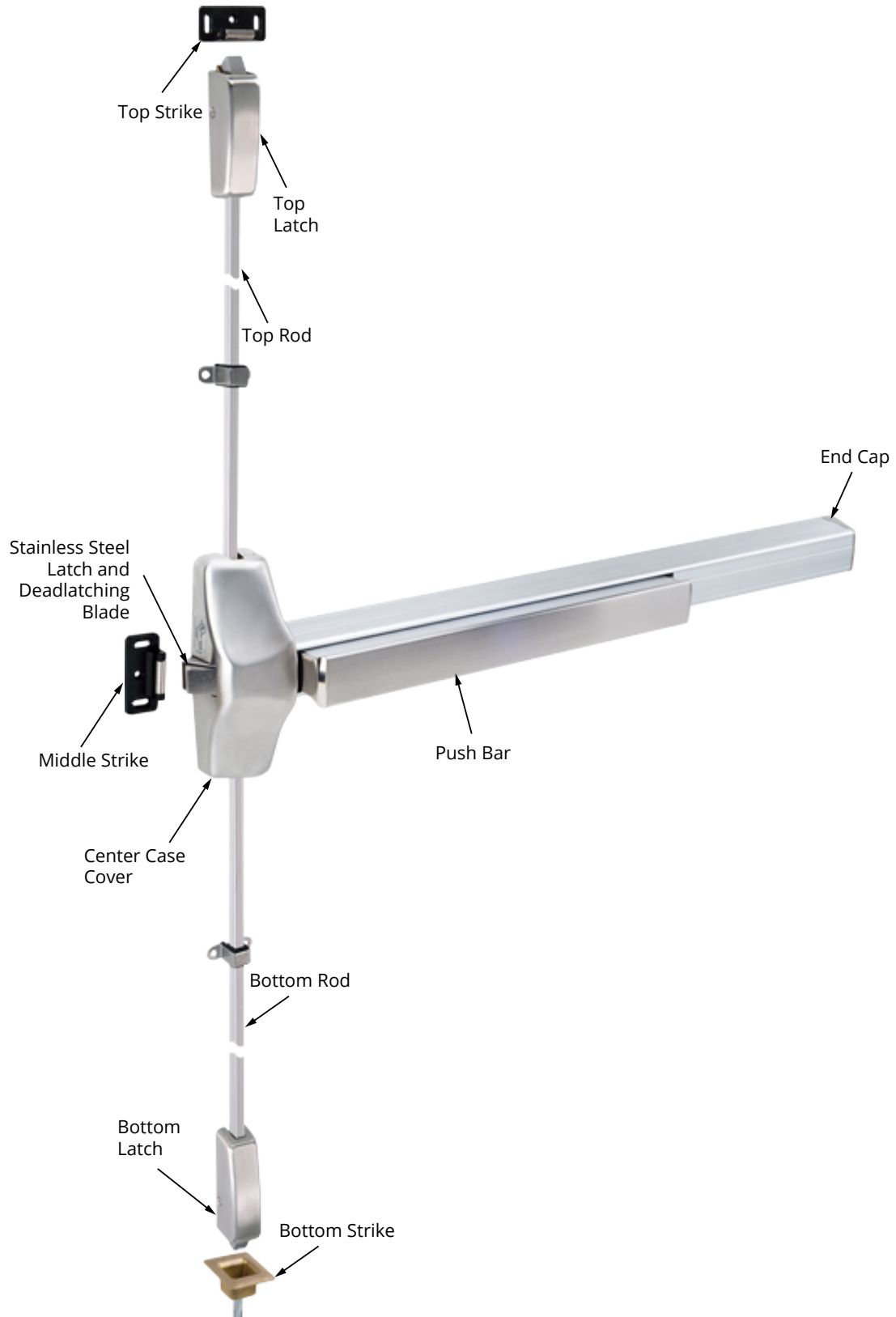


Satin Stainless Steel
(630)

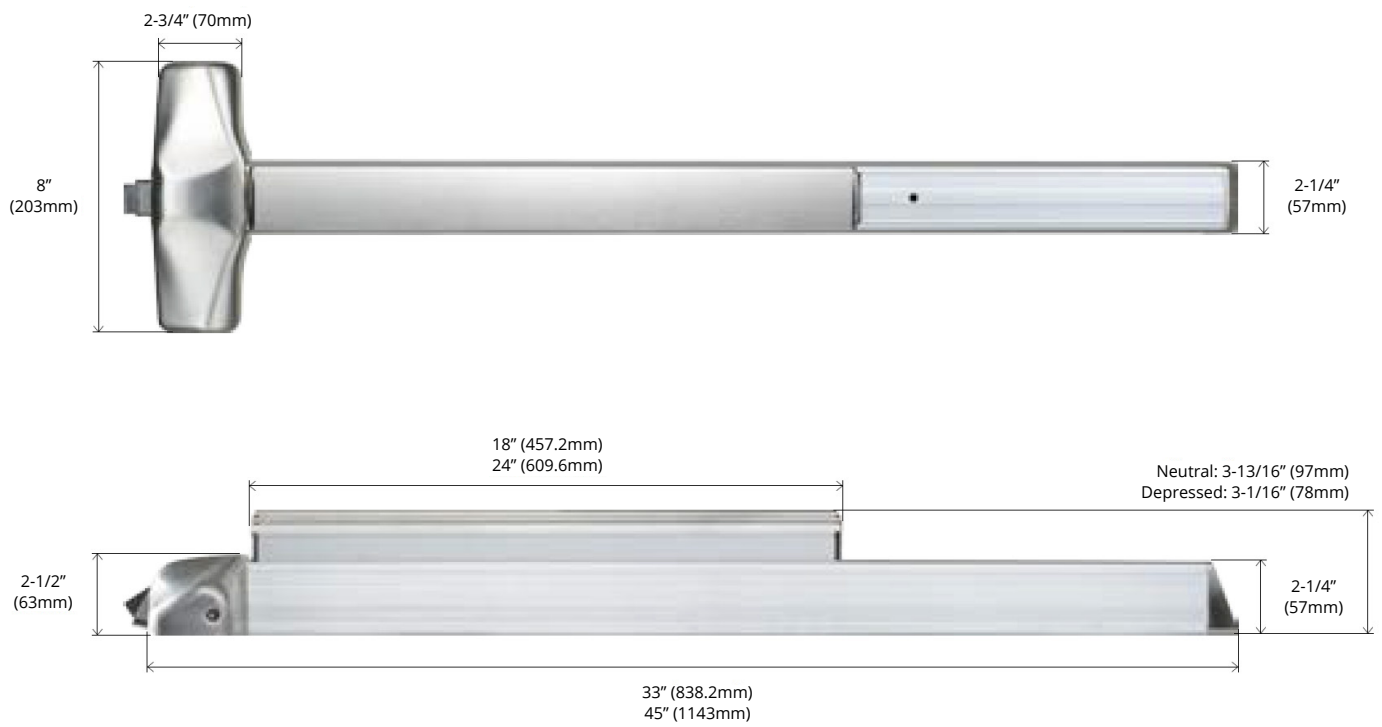
Other finishes available upon request

Finishes are for illustration only and may vary
from actual product provided

Exit Device Profile



Dimensions



Strikes

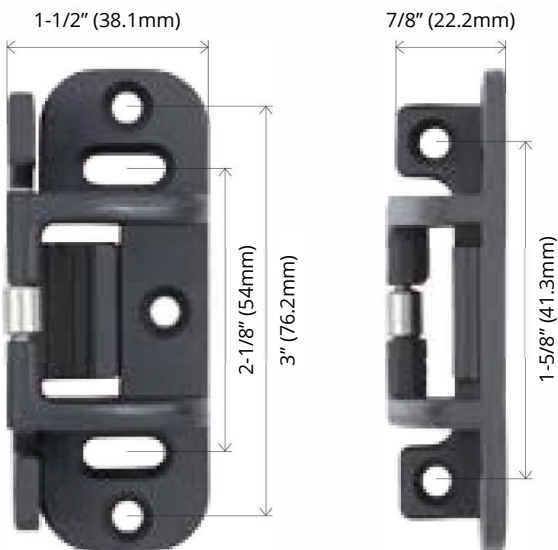
106 Rim Strike

Top and middle strike for three-point exit device.
For panic applications.



108 Rim Strike

Top and middle strike for three-point exit device.
For fire applications.



Strikes

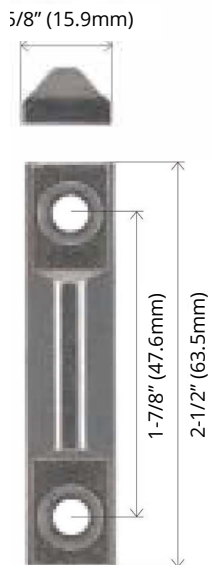
215 Top Strike

Top strike for flush transom for three-point exit devices.
For panic and fire applications.



224 Bottom Strike

Optional bottom strike for three-point exit devices.
For panic and fire applications.



Strikes

225 Bottom Strike (Flat)

Optional bottom strike for three-point exit device round slide bolt.
For panic and fire applications.



226 Bottom Strike (Flat)

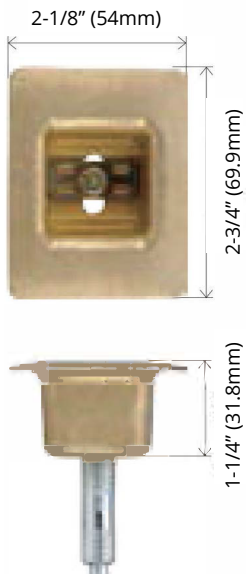
Optional bottom strike for three-point exit device round slide bolt.
For panic and fire applications.



Strikes

227/227F Bottom Strike

Standard bottom strike for three-point exit devices.
For panic and fire applications.



How to Order

ED1500/EF1500 Heavy Duty Three-Point Latching Exit Device

Fire Rating

ED1500	Three-point panic exit hardware
EF1500	Three-point fire exit hardware

Bottom Rod and Latch Options

Blank	Standard
LBR	Less bottom rod
RBL	Round bottom latch
PL	Pullman latch

Device Size

36	36" (For doors 2'4"-3')
48	48" (For doors 2'10"-4')

Door Height

84	84" (For doors up to 84" high)
96	96" (For doors over 84" and up to 96" high)
120	120" (For doors over 96" and up to 120" high)

Finish

613	Dark Oxidized Bronze
630	Satin Stainless Steel

How to Order

ED1500/EF1500 Heavy Duty Three-Point Latching Exit Device

Dogging

Blank	Flat/Hex key dogging (ED1500 only)
CD	Cylinder dogging (ED1500 only)
ED	Electric dogging (ELR)
LD	Less dogging

Options

Blank	Standard
AL	Alarm exit
DE	Delayed egress
ELR	Electric latch retraction
LM	Latch bolt monitoring
RX	Request to exit
SS	Signal switch

Pick one item from each category when ordering.

Example order: ED1500-3684-630-DE

How to Order

Strikes and Shim Kits

Strikes

ED 106 Rim Strike	Top and middle strike for 3PT. For panic applications.
ED 108 Rim Strike	Top and middle strike for 3PT. For fire applications.
ED 215 Top Strike	Top strike for flush transom for 3PT. For panic and fire applications.
ED 224 Bottom Strike	Optional bottom strike for 3PT. For panic and fire applications.
ED 225 Bottom Strike (Flat)	Optional bottom strike for 3PT round slide bolt. For panic and fire applications.
ED 226 Bottom Strike (Flat)	Optional bottom strike for 3PT round slide bolt. For panic and fire applications.
ED 227 Bottom Strike	Standard bottom strike for 3PT. For panic applications.
ED 227F Bottom Strike	Standard bottom strike for 3PT. For fire applications.

Shim Kits

616819-010	Standard shim kit for 106 Rim strike, 2 pieces furnished
616819-030	Standard shim kit for 108 Rim strike, 2 pieces furnished

How to Order

Accessories

Accessories

ED 616823-010	31-7/8" bottom rod
ED 616823-020	For 7' Door Height, 36-1/8" top rod
ED 616823-030	For 8' Door Height, 48-1/8" top rod
ED 616823-040	Add to ED 616823-030 for 10' Door Height, 24" top extension rod
TFL001-630	Fire latch for LBR exit device
8-1024 SNB	Sex bolts for Exit Only device (10-24 thread)
4-4120 SNB	Sex bolts for Exit Only device or device with trim (1/4-20 thread)
2-1024 SNB	Sex bolts for device with trim (10-24 thread)



17901 Railroad Street
City of Industry, CA
91748

877-858-0888
info@townsteel.com

townsteel.com